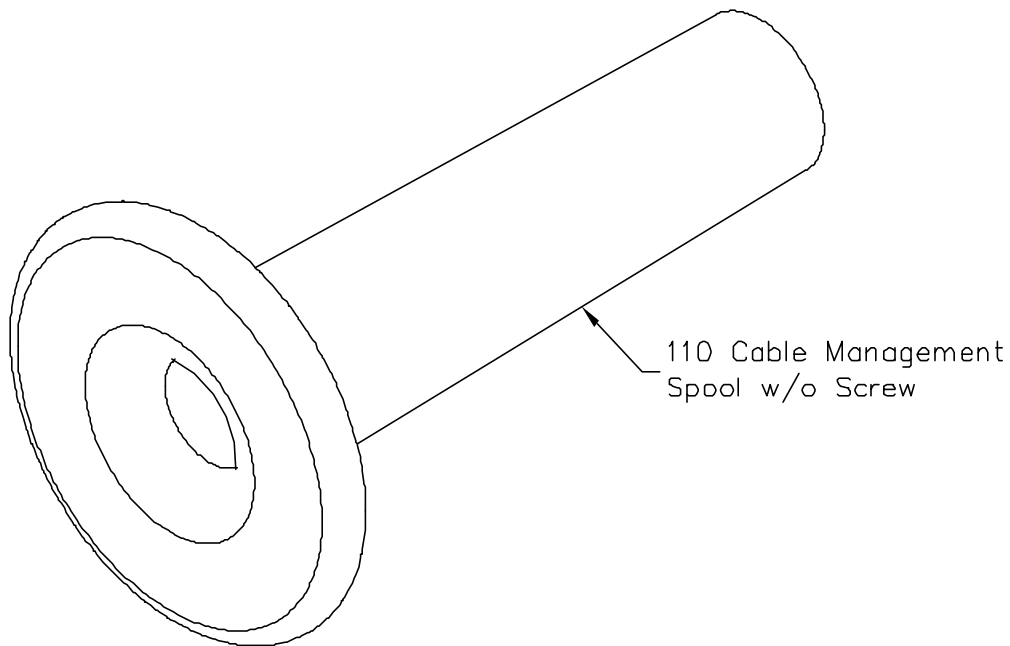


110 Cable Management Spool Without Screw

PRODUCT SPECIFICATION


Package includes:

- A. 110 Cable Management Spool w/o Screw, 10 pcs

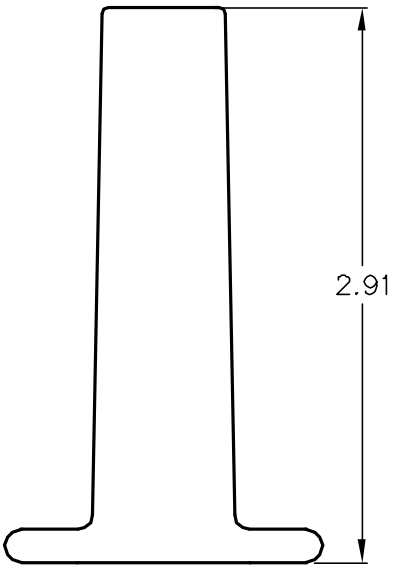
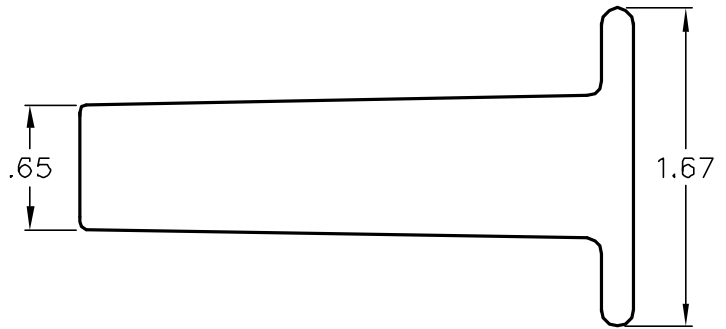
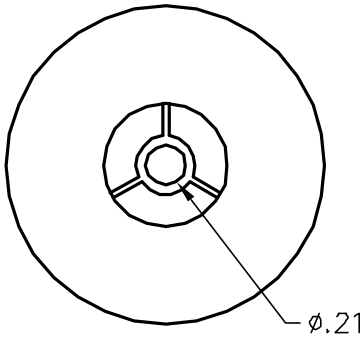


Features and Benefits:

- Designed to retain and guide cables allowing quick and easy access for changes
- Needs wood screw for wall mounting
- UL listed

110 CABLE MGMT SPOOL W/O SCREW, 10 PK			 <i>Premium Products</i> <i>Proven Performance</i> <i>Competitive Prices</i>	
ITEM NO.	ICACSWDS10	REV.		A
DWG NO.	PSACSWDS10	PAGE NO.		1


CUSTOMER CARE / TECHNICAL SUPPORT * CSR@ICC.COM / 888-ASK-4-ICC (275-4422) * 16800 Edwards Road, Cerritos, CA 90703 * Phone 562-356-3111 * Fax 562-356-3100 * www.icc.com



NOTE: UNLESS OTHERWISE SPECIFIED

- 1. MATERIAL: ABS, UL 94V-0
- 2. COLOR: WHITE



110 CABLE MGMT SPOOL W/O SCREW, 10 PK			 <i>Premium Products</i> <u>Proven Performance</u> <i>Competitive Prices</i>
ITEM NO.	ICACSWDS10	REV. A	
DWG NO.	PSACSWDS10	PAGE NO. 2	

CUSTOMER CARE / TECHNICAL SUPPORT * CSR@ICC.COM / 888-ASK-4-ICC (275-4422) * 16800 Edwards Road, Cerritos, CA 90703 * Phone 562-356-3111 * Fax 562-356-3100 * www.icc.com